

## LOCAL, CAUTION SPOTLIGHT FITTINGS

ATEX Beacon Sounder Explosion-proof Audio and Visual Caution Spotlight Fittings



- **Explosion protection to:**
  - CENELEC
  - IEC
  - NEC
- **Can be used in:**
  - Zone 1 and Zone 2
  - Zone 21 and Zone 22
  - Class I, Zone 1 and Zone 2
  - Class I, Division 1, Groups A, B, C, D
- **Ultra-bright LED lamp, low power consumption and long service life**
- **Lamp colours: red, blue, green**
- **Enclosure in Cop-per-free Aluminium Alloy, powder coated surface RAL 3001**

### CATALOGUE NUMBER LOGIC

Zones 1&2; 21&22

ATEX Beacon Sounder -

Lamp colour

- R: red
- B: blue
- G: green

Explosion-proof audio and visual caution spotlight fittings

### SELECTION TABLE

TYPE / ORDERING CODE	WEIGHT(KG)
7182512	2.60

# LOCAL, CAUTION SPOTLIGHT FITTINGS

ATEX Beacon Sounder Series Explosion-proof Audio and Visual Caution Spotlight Fittings



## TECHNICAL DATA

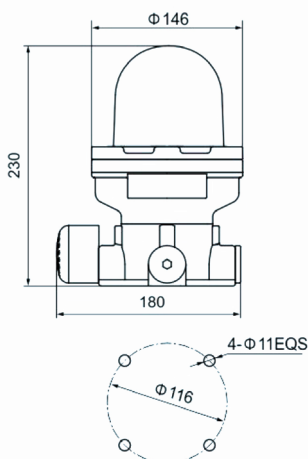
<b>Explosion protection</b>	
Global (IECEX)	ECEX CQM 12.0035X
Gas and dust	Ex d ib IIC T6 Gb Ex t IIIC T80°C Db IP66
Europe (ATEX)	LCIE 11 ATEX 3111X
Gas and dust	Ex II 2 G Ex d ib IIC T6 Gb Ex II 2 D Ex t IIIC T80°C Db IP66 IECEX; ATEX; CU-TR
<b>Certificates</b>	IECEX; ATEX; CU-TR
<b>Conformity to standards</b>	EN 60079-0, EN 60079-1, EN 60079-11, EN 60079-31 IEC 60079-0, IEC 60079-1, IEC 60079-11, IEC 60079-31

<b>Material</b>	
Enclosure	Copper-free Aluminium Alloy, powder coated surface, (RAL3001)
Transparent cover	Toughened glass, stands 4J impact
Exposed fastener	Stainless steel

<b>Rated voltage</b>	220-240V AC 50/60Hz; 24V DC/AC
----------------------	--------------------------------

<b>Lamp</b>	
Lamp specification	LED
Lamp power (W)	5W
<b>Lamp colour</b>	Red, blue, green
<b>Flash frequency</b>	70 (times/min)
<b>Sound intensity</b>	100-120dB (R=1m)
<b>Earthing protection</b>	M5 (internal & external earth bolts)
<b>Degree of protection</b>	IP66, IP67 (optional)
<b>Ambient temperature</b>	-40°C~+55°C
<b>Terminal</b>	3 x 1.5~2.5mm <sup>2</sup> (L+N+PE)
<b>Cable entries</b>	3 x M25 x 1.5 plugs
<b>Cable gland (optional)</b>	DQM-II (Ex d) or DQM-III (Ex d) is recommended. Please see P7/20-31.

### Dimension drawings (all dimensions in mm) - subject to alteration



ATEX Beacon Sounder DS EN 01-09-23 V1.0 © 2023 WatchGas B.V.  
WatchGas is dedicated to continuously improving its products. Therefore, the specifications and features mentioned in this datasheet are subject to change without prior notice.